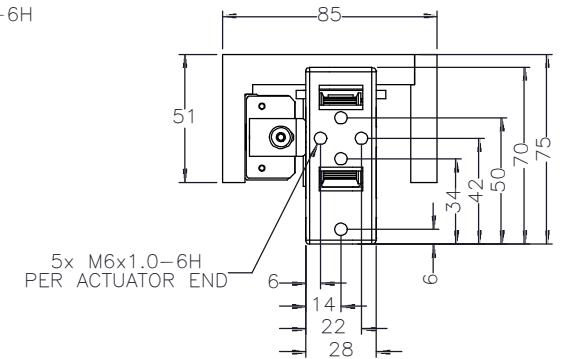
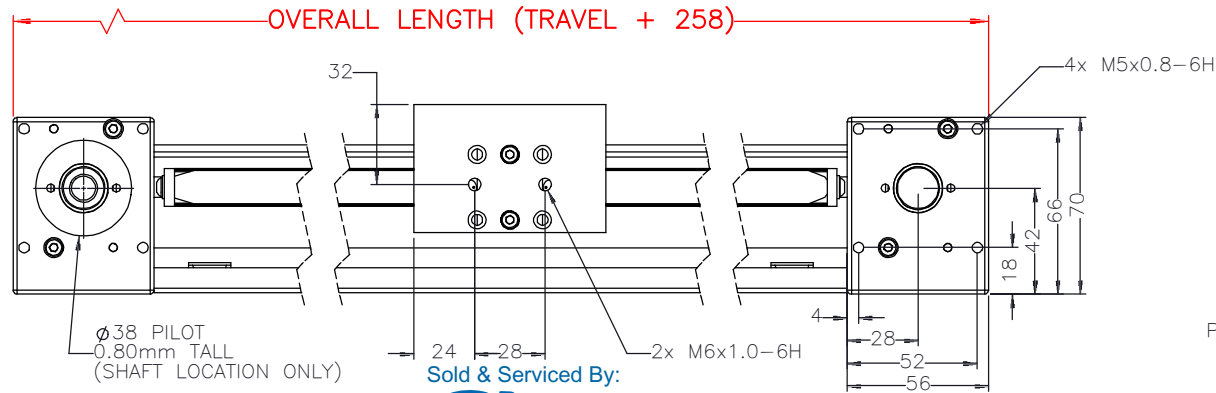
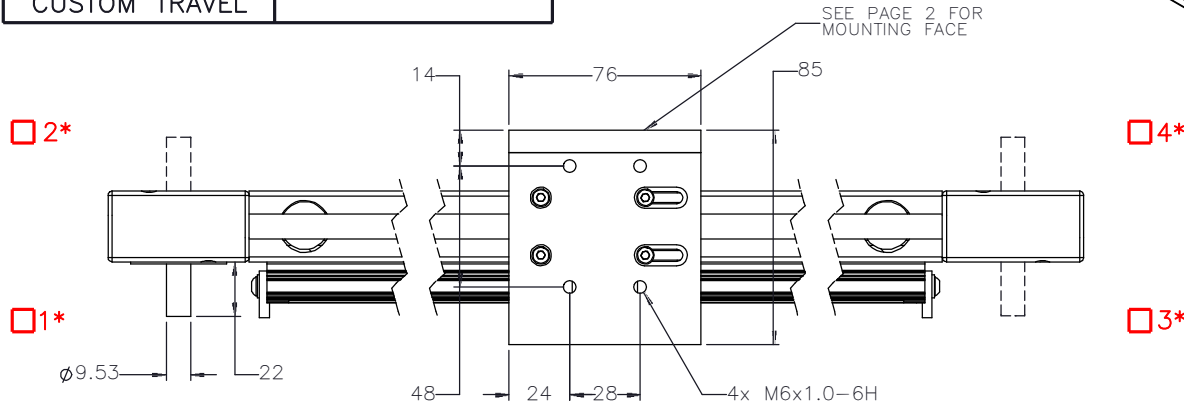
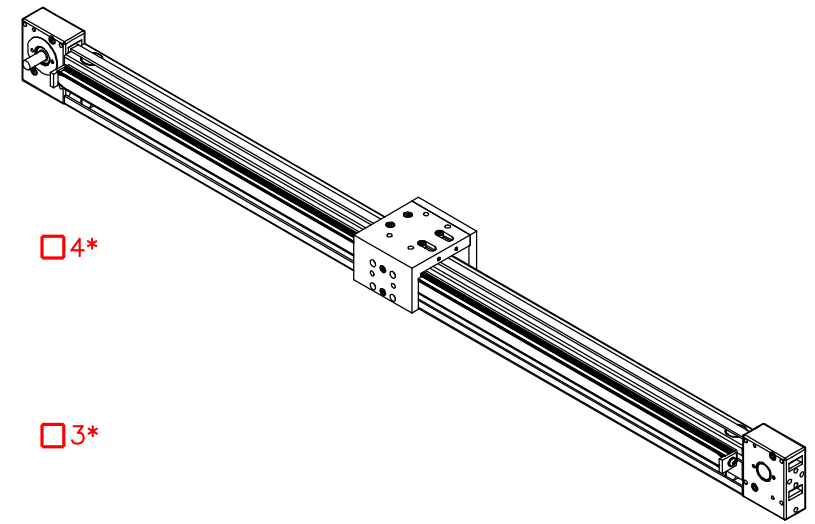


MSA-R15-B-AB- -

STOCK TRAVEL	OVERALL LENGTH	TRAVEL
	00500	242
	00750	492
	01000	742
	01250	992
	01500	1242
	01750	1492
	02000	1742
02250	1992	
CUSTOM TRAVEL		

ENTER OVERALL LENGTH (mm)
 SELECT DRIVE SHAFT LOCATION*
 SHAFTING TYPE
 A=SINGLE SHAFTED
 B=DOUBLE SHAFTED
 NOTE: (IF "B" IS USED THE NUMBER WILL DESIGNATE POSITION OF THE BOSS ON THE PULLEY)



Ø38 PILOT
 0.80mm TALL
 (SHAFT LOCATION ONLY)

Sold & Serviced By:
ELECTROMATE

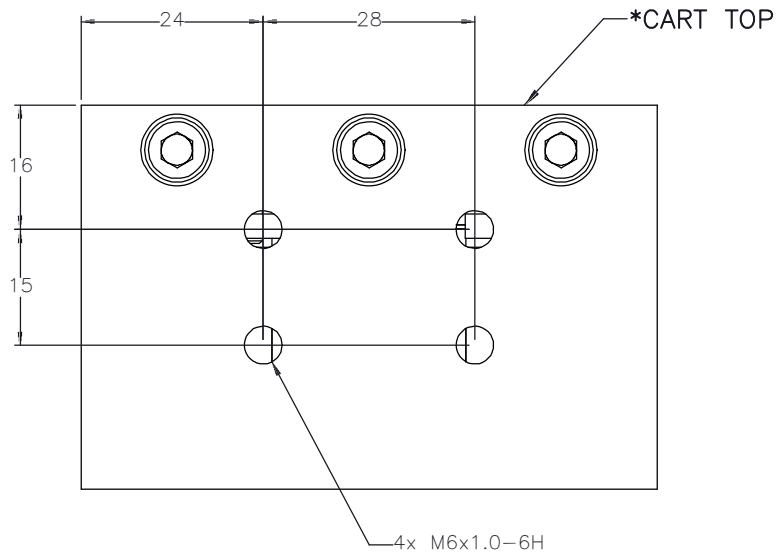
APPROVED: _____
 DATE: _____

Toll Free Phone (877) SERV098
 Toll Free Fax (877) SERV099
www.electromate.com
sales@electromate.com

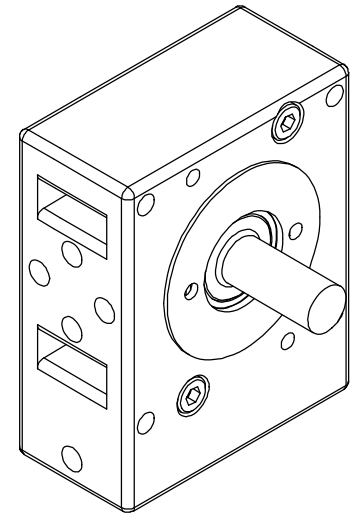
 MACRON DYNAMICS INC	DRAWN BY: ASB DATE: 3/6/2012 MATERIAL:	TITLE: MACRON R15 RAIL ACTUATOR
	CHECKED BY: --- DATE: DD/MM/YYYY	
	LAST SAVED BY: Alex DATE: 12/12/2013	
	UNLESS OTHERWISE SPECIFIED: DIMENSIONS ARE IN INCHES: TOLERANCES UNLESS NOTED: .XX ± .03 .XX ± .010 .XXX ± .005 ANG ± 0°30'	FINISH:
	SURFACE FINISH: <input checked="" type="checkbox"/>	SHEET: 1 OF 6 PART NUMBER: MSA-R15
	BREAK ALL SHARP EDGES DIMENSIONAL LIMITS APPLY AFTER FINISHING THIRD ANGLE PROJECTION	SCALE: 1:1 SHEET SIZE: C

SPECIFICATIONS ARE SUBJECT TO CHANGE WITHOUT NOTICE

CART MOUNTING FEATURES



DOUBLE SHAFTED PULLEY

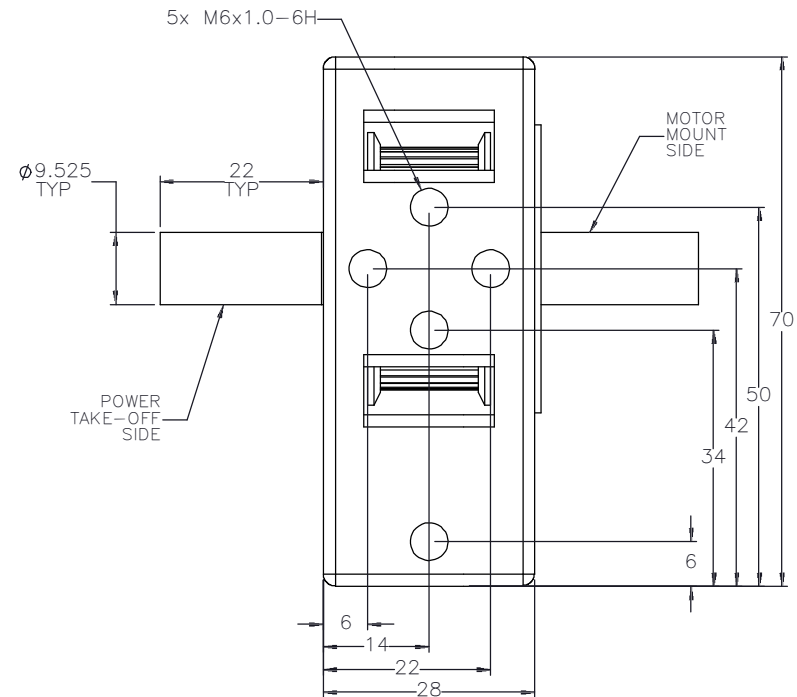
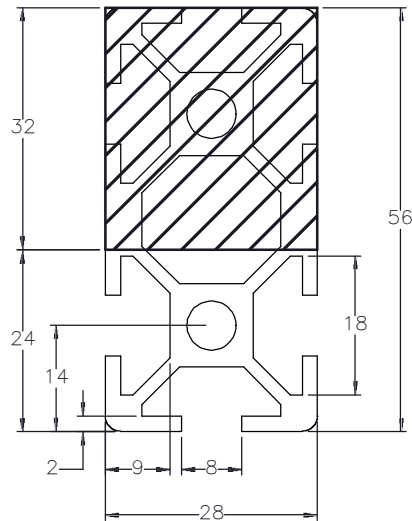


Sold & Serviced By:



Toll Free Phone (877) SERV098
 Toll Free Fax (877) SERV099
www.electromate.com
sales@electromate.com

CUSTOMER ACCESSIBLE MOUNTING FEATURES, T-NUT SLOTS



SPECIFICATIONS ARE SUBJECT TO CHANGE WITHOUT NOTICE

	DRAWN BY: ASB CHECKED BY: -- LAST SAVED BY: Alex	DATE: 3/6/2012 DATE: DD/MM/YYYY DATE: 12/12/2013	MATERIAL: FINISH:	TITLE: MACRON PULLEY ASSEMBLY 28-12, DOUBLE SHAFTED							
	UNLESS OTHERWISE SPECIFIED, DIMENSIONS ARE IN INCHES. TOLERANCES UNLESS NOTED OTHERWISE: <table border="0"> <tr> <td>.X ±</td> <td>.03</td> </tr> <tr> <td>.XX ±</td> <td>.010</td> </tr> <tr> <td>.XXX ±</td> <td>.005</td> </tr> <tr> <td>ANG ±</td> <td>0°30'</td> </tr> </table>		.X ±	.03	.XX ±	.010	.XXX ±	.005	ANG ±	0°30'	SURFACE FINISH: <input checked="" type="checkbox"/> BREAK ALL SHARP EDGES DIMENSIONAL LIMITS APPLY AFTER FINISHING THIRD ANGLE PROJECTION
.X ±	.03										
.XX ±	.010										
.XXX ±	.005										
ANG ±	0°30'										
THIS DRAWING IS THE PROPERTY OF MACRON DYNAMICS. ANY REPRODUCTIONS SHALL BE FOR QUOTATION, MANUFACTURING, OR PURCHASING PURPOSES ONLY. RELEASE OF DRAWINGS TO OTHER CONCERNS DOES NOT CONSTITUTE LICENSING IN ANY WAY. INFORMATION CONTAINED HEREIN IS PROPRIETARY AND CONFIDENTIAL.		SHEET: 2 OF 6 PART NUMBER: MSA-R15	REV: C								